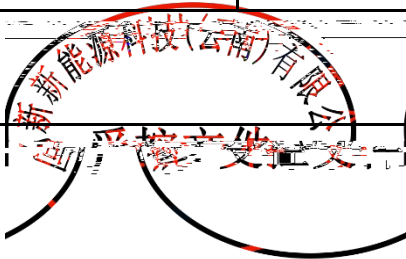
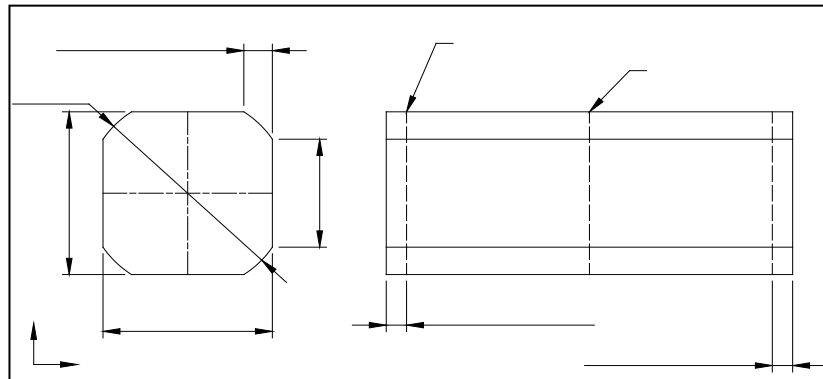
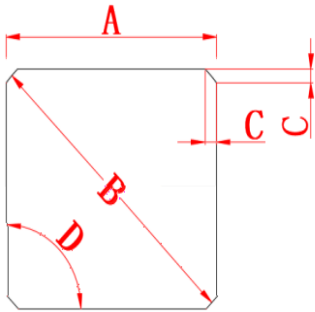
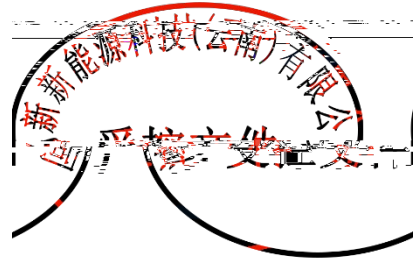


DOCUMENT NO.		COMPILER	
EDITION		REVIEWER	
DISTRIBUTION NO.		APPROVER	
STATUS			



	1/4				

“

”

”																		“ x ”																
											/mm																							
											/mm		/mm		/mm																			
											m	m	m	m	m	m																		
											a	i	a	i	a	i																		
											x	n	x	n	x	n																		